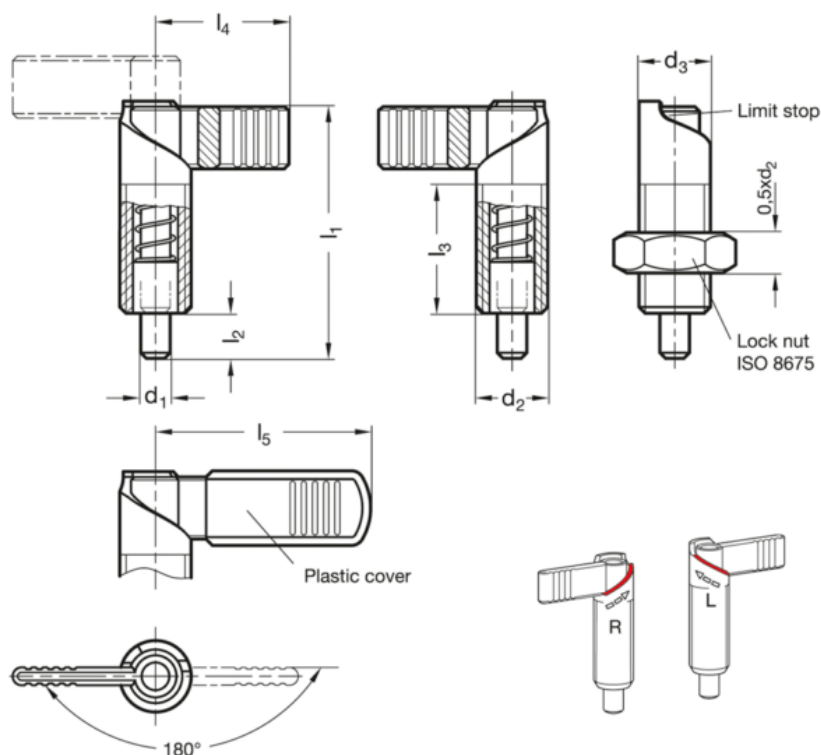


Article number: 2072156M1215RB

Description: E+G indexing plunger
GN 721.5-6-M12x1,5-RB

Measures



d_1	= 6	l_4	= 26
d_2	= M12x1.5	l_5	= 32
d_3	= 12	Weight in (g) = 155	
$f_{jedbund}$	= 8		
f_{jedtop}	= 18		
l_1	= 47		
l_2	= 8		
l_3	= 26		